



TUBE ADAPTER 4I21B TUBE ADAPTER

TUBE ADAPTER

stainless steel

Stainless steel tube adapter. They are used exclusively for the manufacturing of lower extremity prostheses.

Made of high resistance stainless steel and indicated for patients with a maximum weight of 125 kg.

Tube adapter with a 30 mm diameter to be used in combination with screw adapter tubes as an adjustment device for modular leg prostheses.

These combinations provide angle and translation modifications in the sagittal and anterior plane, as well as regulation of internal and external rotation.



ACTIVITY LEVEL



PATIENT WEIGHT LIMIT



IMPACT LEVEL 1-4

RESISTANCE

125 KG

SKU 4I21B

UNIT WEIGHT

95 GR

CAUTION! ⚠

Do not expose the prosthetic components to environments that favor the corrosion of metal, as well as the degradation of the elements that make up the adapter. If it is exposed to any of these environments and the adapter has traces of elements that favors its deterioration, the warranty offered by O and P will be lost.

WARRANTY

The 4I21B adapter warranty only applies if it is used under the conditions described in this sheet. This product is insured for 1 year using exclusively O and P modular products.

TUBE ADAPTER

INSTRUCTIONS FOR USE

The 4I21B adapter has a height of 4.8 cm.

Please follow the instructions below to avoid tube deformation. O and P tube tolerances are of approximately .001.

A deformed tube cannot be inserted into a tube adapter (4I21,4I21C, 4I21B, 4A69, 4I56) without further difficulty.

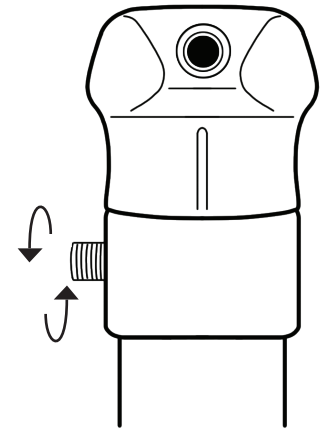
CAUTION!

Do not clamp the tube in the workbench screw, as this action can cause deformations or damage. The cut must form a 90° angle with respect to the outer wall line of the tube in the distal direction. The use of tube cutters (not saws) is recommended.

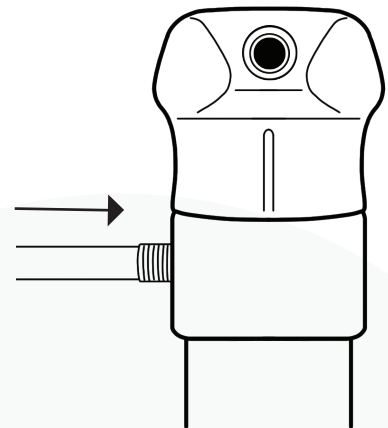
To install the tube, loosen the M4 x 16 mm screw ^{1.1} from the adapter (4I21B), and insert the tube into it until it stops. ^{1.2}

WARNING

For the definitive use of the M4 x 16 mm screw, secure it with a torque wrench set to 13 NM. The application of Loctite 242 threadlocker is necessary. Failure to follow this warning could result in the screw stripping and becoming unusable, as well as loosening over time.



1.1



1.2

TUBE ADAPTER

INSTRUCTIONS FOR USE

The union with the opposite piece ² in the modular system is through the M8 x 14 mm oppressors.

Corrections can be made at any time during alignment, try-in and after completion of the prosthesis. To exchange any part, disassemble it. To keep the previous alignment, unscrew only the two adjoining oppressors.

For the definitive use, secure it with a torque wrench set to 15 NM. The application of Loctite 242 threadlocker is necessary.

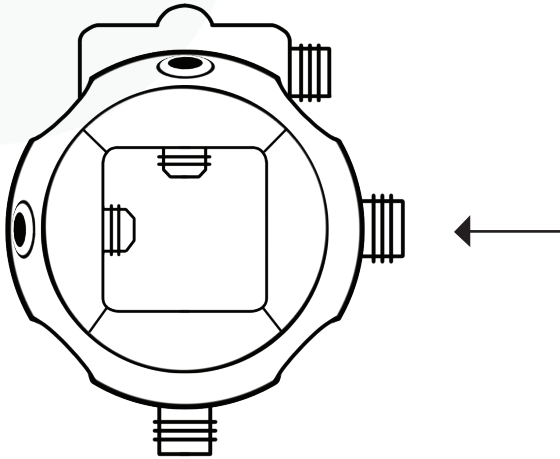


ACTIVITY LEVEL	   
-----------------------	---

PATIENT WEIGHT LIMIT	   
-----------------------------	---

IMPACT LEVEL	1-4	RESISTANCE	125 KG
---------------------	-----	-------------------	--------

SKU	4I21B	UNIT WEIGHT	95 GR
------------	-------	--------------------	-------



2