



SQUARE ADAPTER 4I78 SOCKET ADAPTER

SOCKET ADAPTER

stainless steel

Fixed square female adapter. They are exclusively used for the manufacture of lower limb prostheses.

Made of high resistance stainless steel. Indicated for patients with a maximum weight of 100 kg.

The double adapter with pyramid adapter is used in combination with any adapter with a pyramid receiver, for modular leg prostheses.

These combinations provide angle and translation modifications in the sagittal and anterior plane, as well as regulation of internal and external rotation.



ACTIVITY LEVEL



PATIENT WEIGHT LIMIT



IMPACT LEVEL 1-4

RESISTANCE

100 KG

SKU

4I78

UNIT WEIGHT

128 GR

CAUTION! ⚠

Do not expose the prosthetic components to environments that favor the corrosion of metal, as well as the degradation of the elements that make up the adapter. If it is exposed to any of these environments and the adapter has traces of elements that favors its deterioration, the warranty offered by O and P will be lost.

WARRANTY

The 4I78 adapter warranty only applies if it is used under the conditions described in this sheet. This product is insured for 1 year using exclusively O and P modular products.

ADAPTER 4178

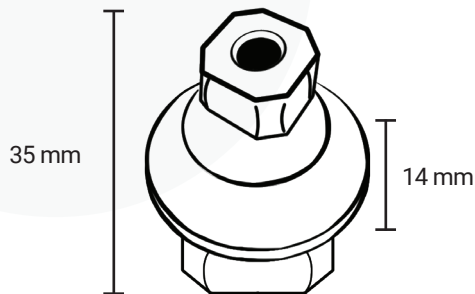
SOCKET ADAPTER

INSTRUCTIONS FOR USE

Double pyramid adapter with a total height of 35 mm and a system height of 14 mm.

The union with the opposite piece in the modular system is through the M8 x 14 mm opposors.

Corrections can be made at any time during alignment, try-in and after completion of the prosthesis. To exchange any part, disassemble it. To keep the previous alignment, unscrew only the two adjoining opposors.



ACTIVITY LEVEL



PATIENT WEIGHT LIMIT



IMPACT LEVEL

1-4

RESISTANCE

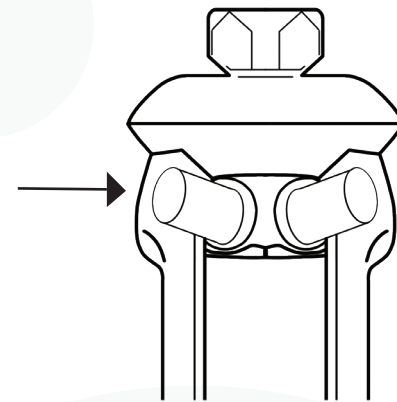
100 KG

SKU

4178

UNIT WEIGHT

128 GR



1